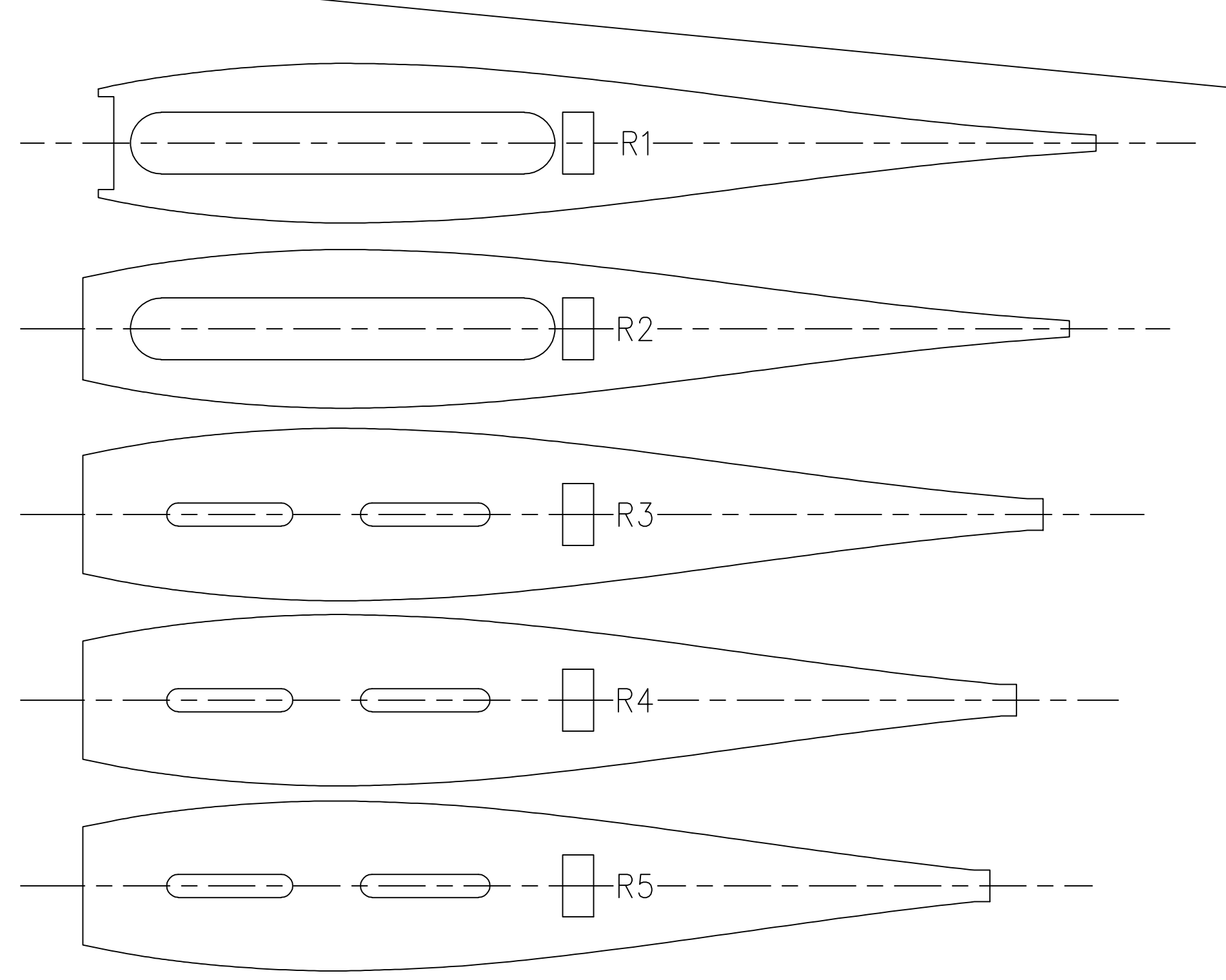
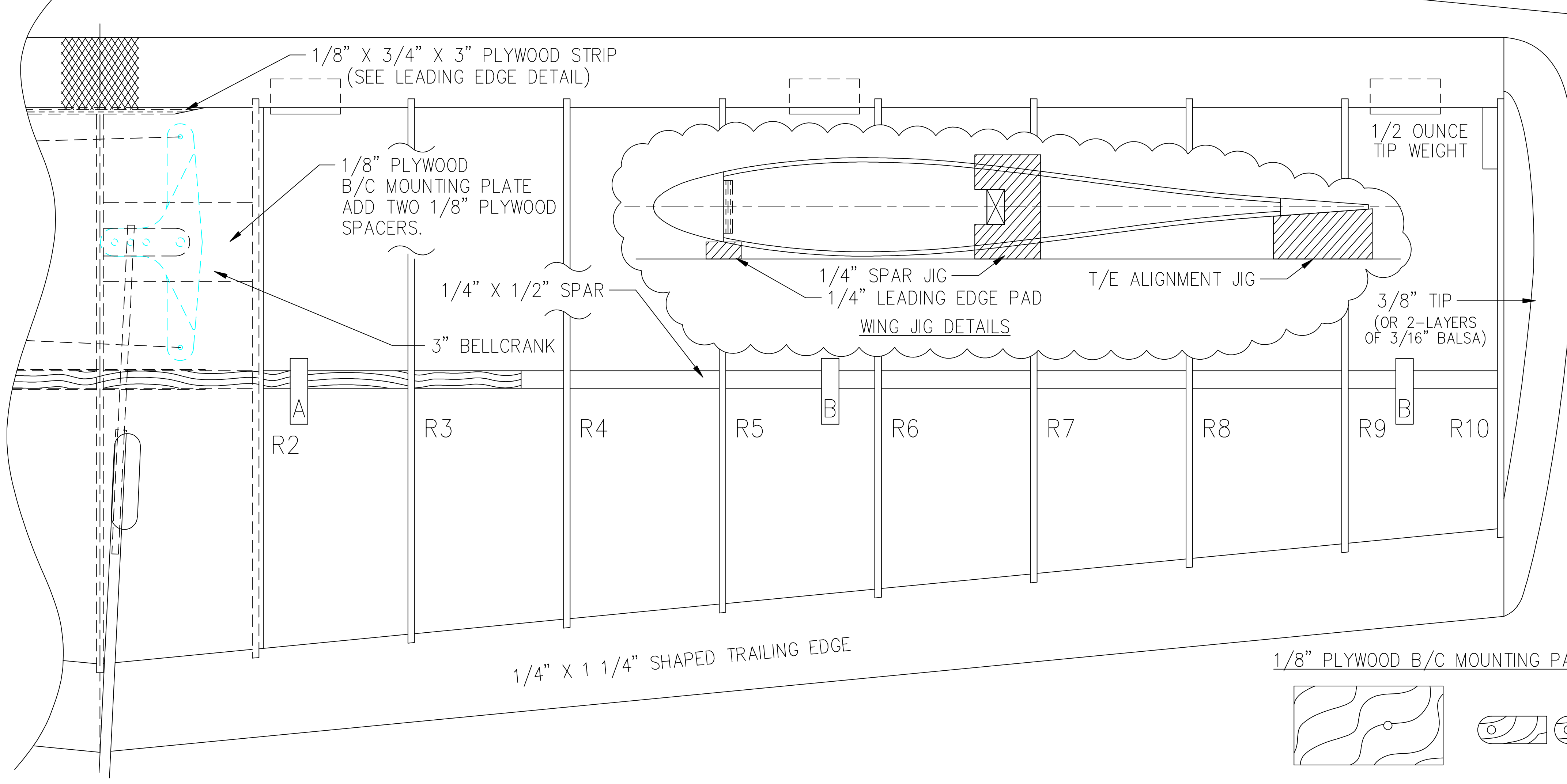
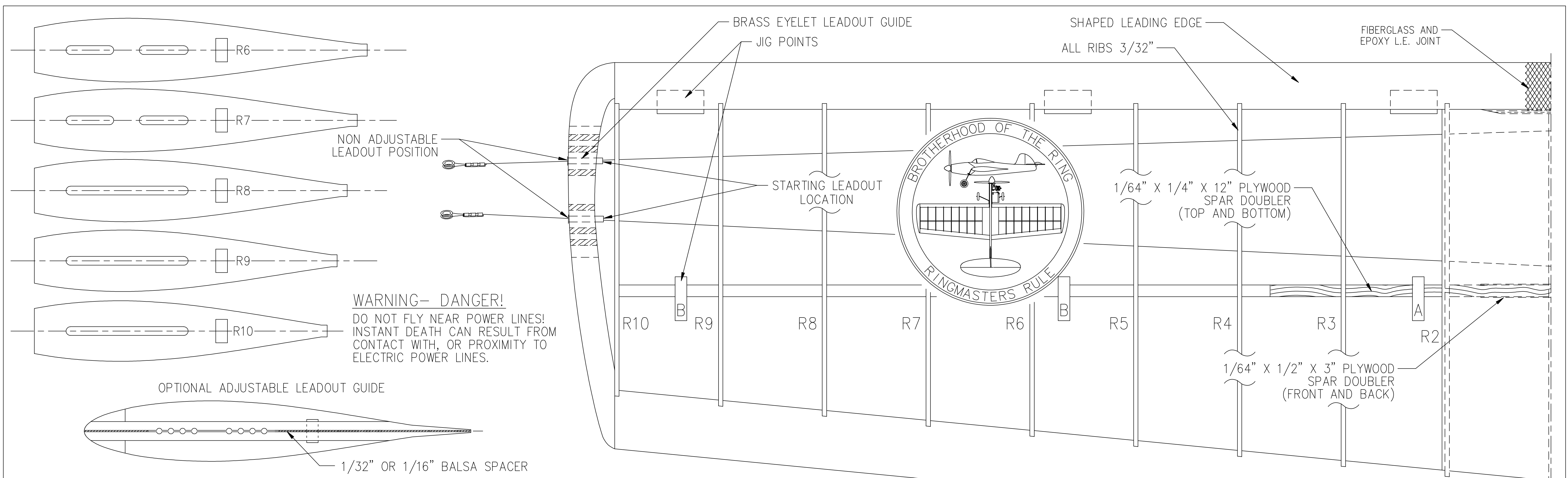


file: C:\Cl\PLANS\117-SUPERRINGMASTER2.DWG saved: 09/09/09 06:49 by: PSJ9942



SUPER RINGMASTER
STERLING KIT S-6
BY MATT KANIA
ACAD by PAT JOHNSTON 8-31-09
381 SQ. IN. .25 ENGINES
24 OZ. W/ OS 25LA